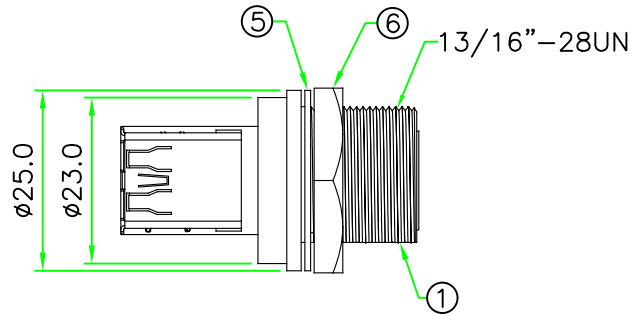
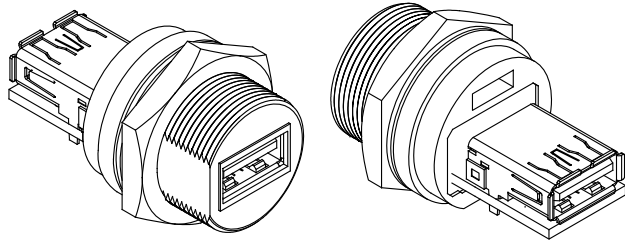


RoHS



REV.	DESCRIPTION	DATE
A	ISSUE	Oct/03/2012
B	Change P/N NO.	May/23/2014
B1	Correct dimension.	Jun/25/2014
B2	Correct dimension & shape.	Jan/19/2016
C	Change PCB to 4 layer.	Mar/18/2019
D	Change PCB layout.	Oct/26/2021
E	Change PCB layout.	Apr/30/2024

Notes:

Current Rating :

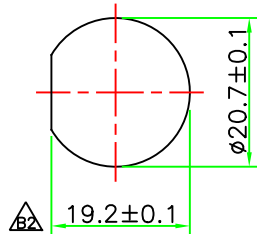
1.8Amp (Pin1, Pin4 & Pin7 of USB3.0)

0.25Amp (Others)

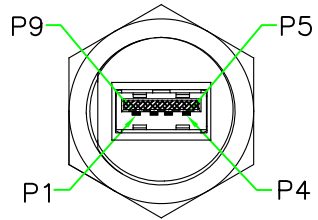
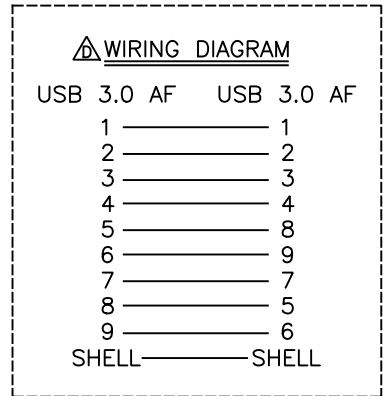
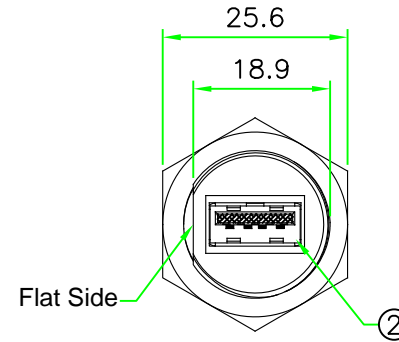
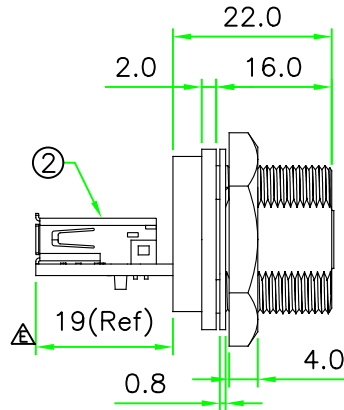
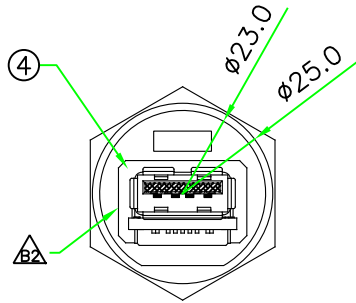
Contact Resistance : 30m Ohm Max.

Insulation Resistance : 100M Ohm Min.

Operating Temperature : -55°C ~ +85°C.



RECOMMENDED
PANEL CUT OUT



PIN ASSIGNMENT
FRONT VIEW
(前視圖)

OLD P/N:USB3AC-P3CRJ
(原型號)

No.	PART NAME	DESCRIPTION	COLOR	Q'TY	REMARKS
6	HEX NUT	NYLON+GF.	BLACK	1	
5	GASKET	EPDM.	BLACK	1	
4	GLUE	EPOXY.	BLACK	1	
3	PCB	FR4 . 4 Layer, 1.6mm Thickness		1	PCB-USB3AC-4L-C (B)
2	CONNECTOR	USB 3.0 A Type Female Connector.	BLUE	2	
1	BODY	USB A Type Female Connector Body. NYLON+GF.	BLACK	1	

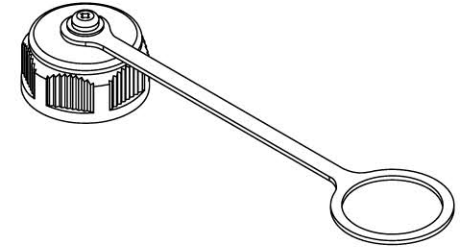
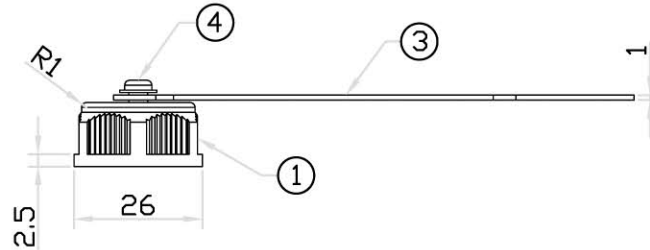
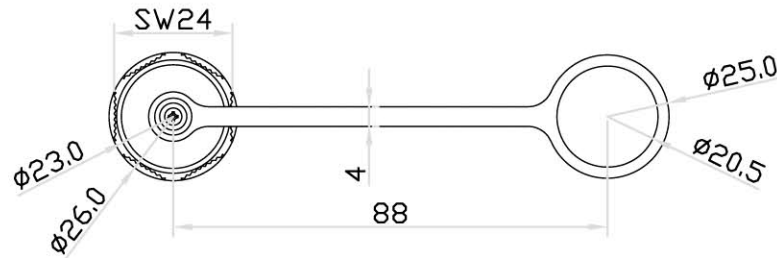
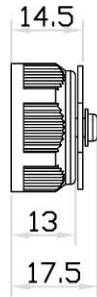
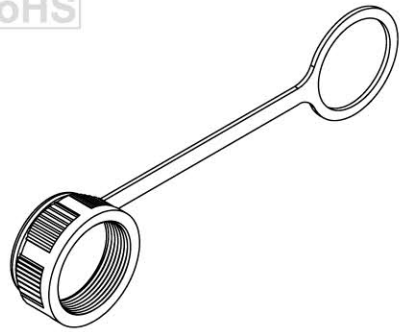
UNIT: mm	TITLE
SCALE 1:1	USB 3.0 A TYPE FEMALE C SIZE SCREW TYPE CIRCULAR FLANGE PANEL WITH RIGHT ANGLE USB 3.0 A TYPE FEMALE
UNLESS OTHERWISE SPECIFIED TOLERANCES: XX. ± 0.5 .X ± 0.5 .XX ± 0.25 .XXX ± 0.1 ANGLE ± 1°	P/N: USB3AC-P3CSJ
REV. E SHEET 1/1	DWG.NO: USB3AC-P3CSJ

DR.

CH.

AP.

RoHS



REV	DESCRIPTION	DATE
A	ISSUE	Mar/10/2009
A1	CHANGE P/N AND DWG.NO.	Feb/25/2014
A2	ADD NOTES	Mar/17/2014

A2 NOTE:
 Maximum panel thickness:
 (適用面板最大厚度)
 C size series:2mm
 RJ45/USB/HDMI series:4mm
 C size front mount not available
 (不適用C size後鎖式板端接頭)

No.	PART NAME	DESCRIPTION	COLOR	Q'TY	REMARKS
4	SCREW	STAINLESS STEEL.	BLACK	1	CCP-CAP-S3x6B
3	CHAIN	PLASTIC RUBBER	BLACK	1	CAP CHAIN-B (59-135)
2	GASKET	PLASTIC RUBBER	BLACK	1	
1	SCREW CAP	NYLON+GF.	BLACK	1	CCP-MCAP (70-135-N4)

UNIT: mm	TITLE: WATERPROOF CAP SCREW TYPE WITH PLASTIC CHAIN FOR RJ45 ,C SIZE ,USB PANEL CONNECTOR
SCALE: 1:1.5	
UNLESS OTHERWISE SPECIFIED TOLERANCES: X ±0.25 XX ±0.1 XXX ±0.05 ANGLE ±1°X	P/N: A1 CCx-WCAP-MB
REV: A2	DR. Patty
SHEET: 1/1	CH. ERIC
	AP.
	DWG.NO: A1 CCx-WCAP-MB