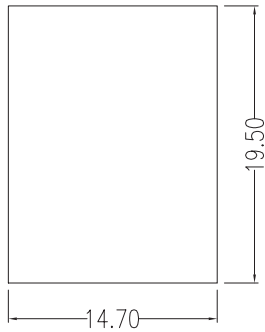
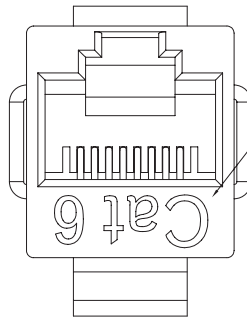
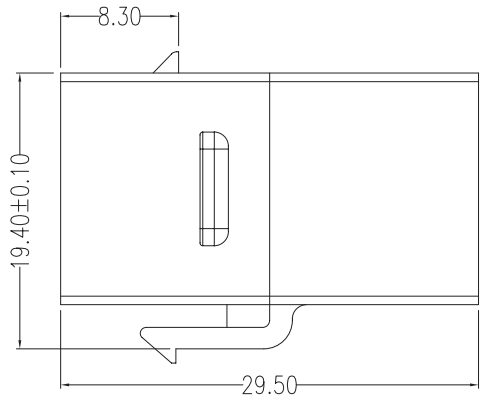
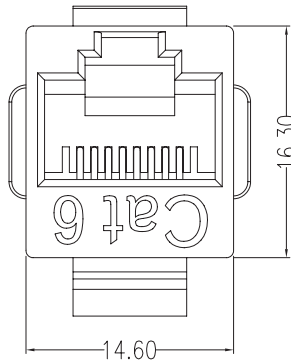
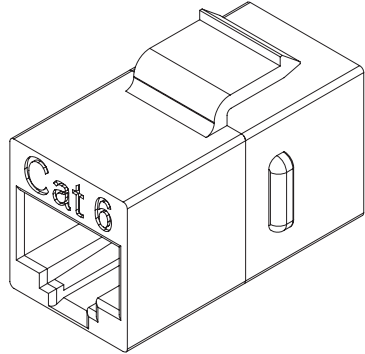
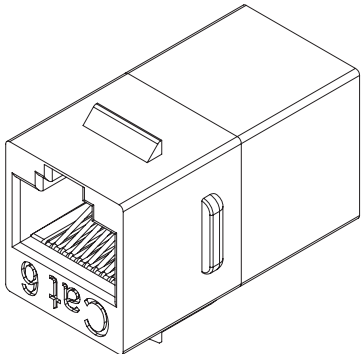


REVISIONS				
ZONE	REV	DESCRIPTION	DATE	APPROVED
	▲			
	▲			



Suggested Panel Cutout



Concave deepened 0.3mm

Cat 6  
UL CERTIFIED



ACCORDING TO TIA/EIA-568-B.2-1  
REQUIREMENTS  
FILE NO.E145249

**MATERIAL**

Housing: ChiMei ABS PA-765A UL94V-0  
Spring Wire: Phosphor Bronze w/50u  
Gold over 100u Nickel undercoat  
PCB : GP FR-4 UL94V-0 Goldplated PCB  
Contact Holder : Dupont Zytel FR50  
Solder : GP Solder - Sn/Ag/Cu

**ELECTRICAL**

Current rating: 1.5 Amps  
Insulation resistance: 500 MOhm  
Contact resistance: 20 mOhm  
DC resistance: 0.1 Ohm  
Dielectric withstanding voltage: 1000 V

**\*ROHS COMPLIANT**

COMMON TOLERANCE		SHEET OF		ALL COPY RIGHTS RESERVED	
CLASS	A	B	SIZE	A4	TITLE
DIMENSION	L<=3	±0.05	±0.1	DIA	mm
	3<L<=6	±0.05	±0.1	SCALE	2:1
	6<L<=16	±0.1	±0.15	DATE	206.02.22
	16<L<=30	±0.1	±0.2	DESIGN	
	30<L<=120	±0.15	±0.3	DRAWN	
	120<L<=315	±0.2	±1	CHECKED	

**NET MECHANISM CORP.**

**AC6R-P**

DRAWING NO. **C-101**